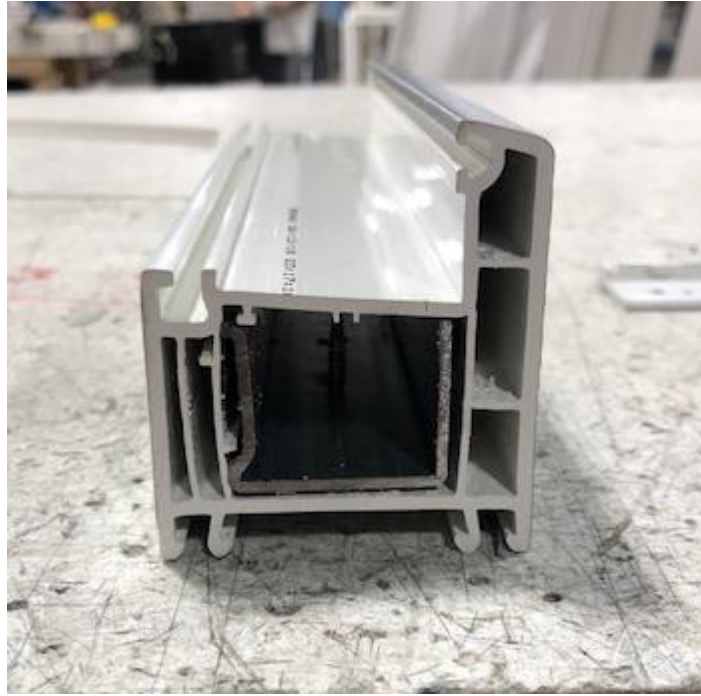


Euro System Door Installation Tips

1. Start with the rehau euro frame.



60 Years of Quality Aluminum and Vinyl Windows and Doors
We are the First and the Last

www.alliancewindows.com

www.stergis.com



2. Drill a 3/8" pilot hole through the 1st level of pvc as an access hole. Drill through the steel and lower section of the pvc with a 1/8" drill bit.



60 Years of Quality Aluminum and Vinyl Windows and Doors
We are the First and the Last



3. This will allow the #10 x 3" wood screw to be installed



60 Years of Quality Aluminum and Vinyl Windows and Doors
We are the First and the Last

www.alliancewindows.com

www.stergis.com



4. After the screw is fastened, seal over fastener head. Install the 3/8" white pvc cover button.

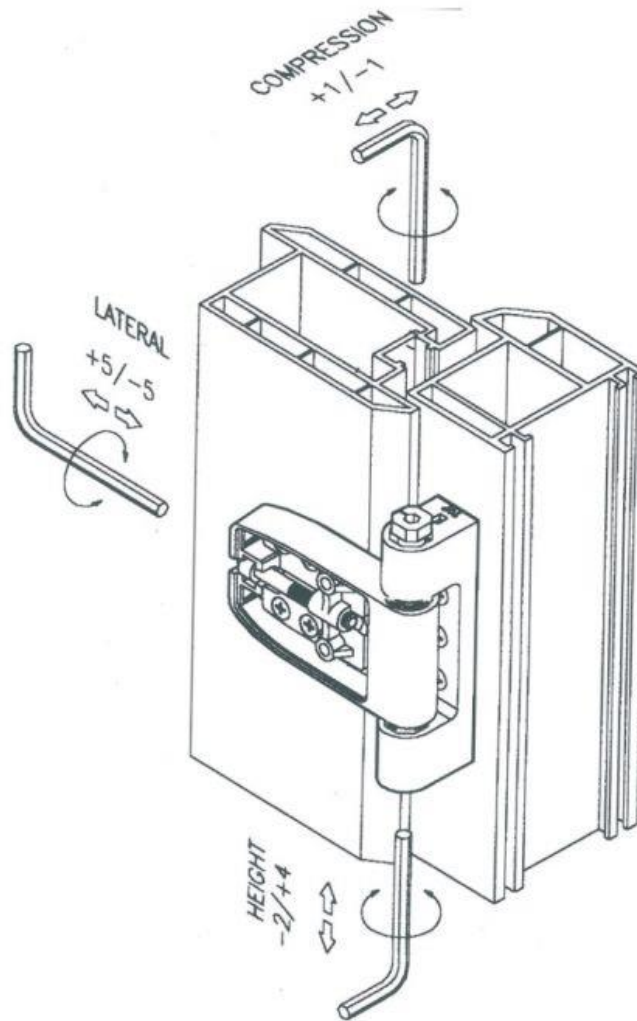


It is very important that at all fastening locations the frame is properly shimmed with the use of Structural shims (horseshoe shims are recommended)

5. After the frame is fully secured (though frame and tie back clips installer per your project's shop drawings hinge / hardware adjustments may be needed. Your Euro system door hinge has 3 adjustment points shown here:

60 Years of Quality Aluminum and Vinyl Windows and Doors
We are the First and the Last





Please refer to your project's architectural drawing set and Stergis job specific shop drawings for further information. Thank you for your business.

60 Years of Quality Aluminum and Vinyl Windows and Doors
We are the First and the Last

www.alliancewindows.com

www.stergis.com

